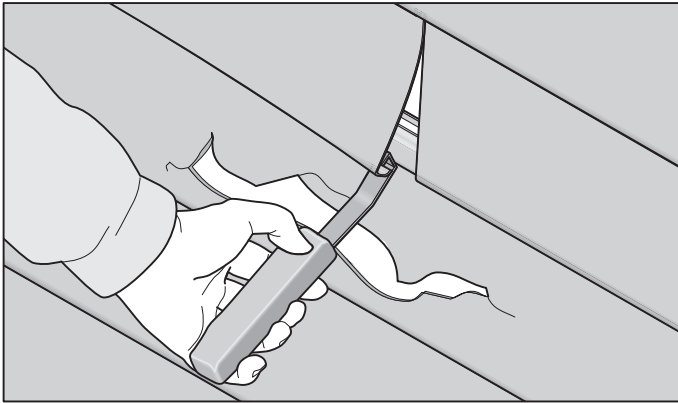
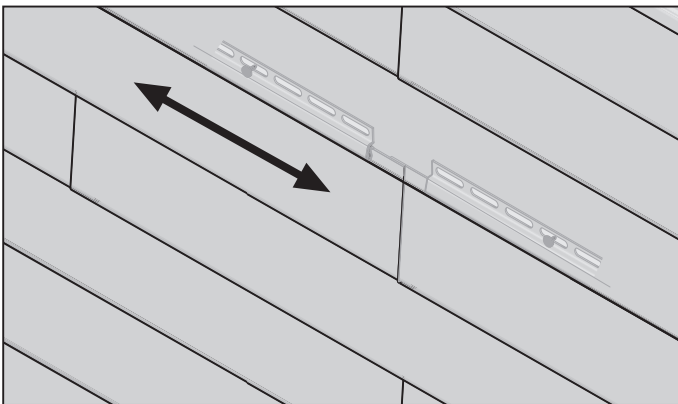


REPAIRS

Vinyl Siding Panel



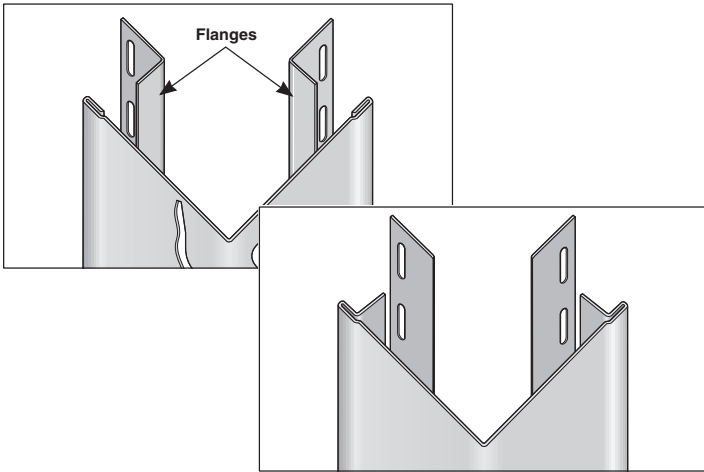
- To repair or replace a siding panel, insert the zip-lock tool under the butt of the course above the damaged panel.
- Pull downward and slide the tool along the length of the panel.
- Remove the nails of the damaged panel.
- Install the replacement panel making sure the lock is re-engaged. (Use the ziplock tool to re-engage the panel by forcing the bottom lock over the newly replaced panel.)



- When re-nailing, be sure panel can move freely in a horizontal direction to allow for expansion and contraction.

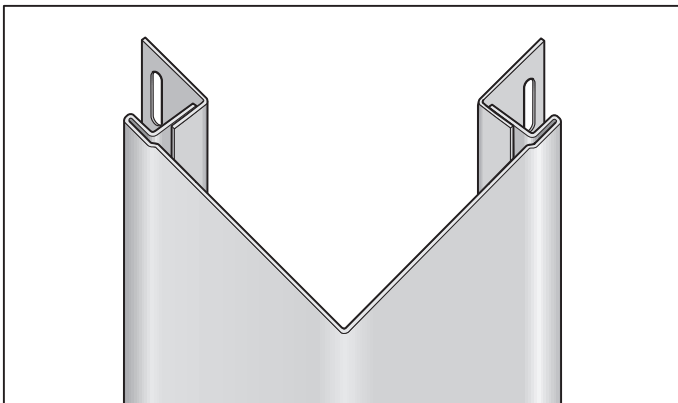
REPAIRS

Corner Posts

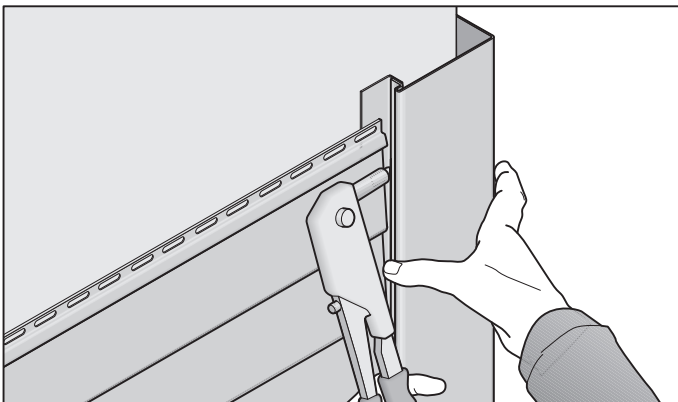


- Using a utility knife cut away the nailing hem of the damaged corner. Be sure to leave the flange.

- Trim the new corner post to fit (leaving the same flange).



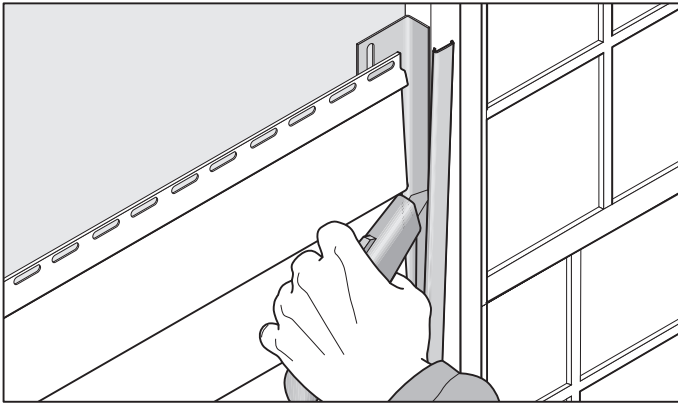
- Position the new corner in place with flanges overlapping.



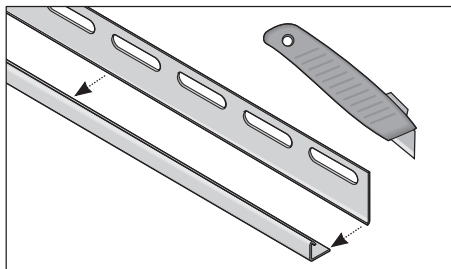
- Attach the new corner posts to the existing flange with pop rivets.

REPAIRS

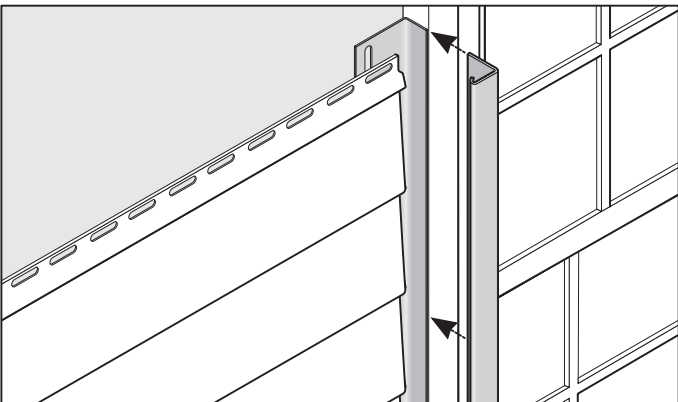
J-Channel



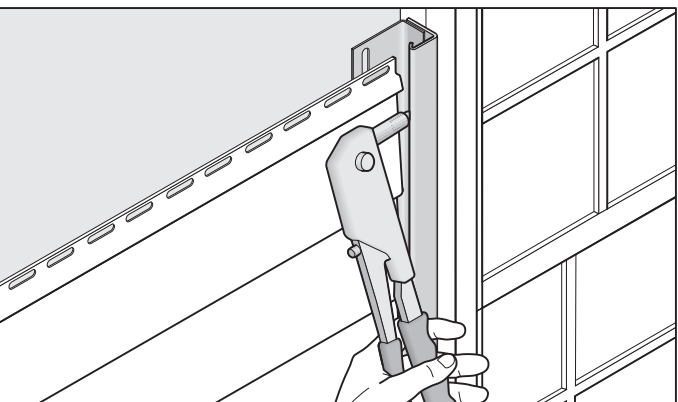
- Cut away the face of the channel.



- Cut the new J-Channel away from the nailing hem.



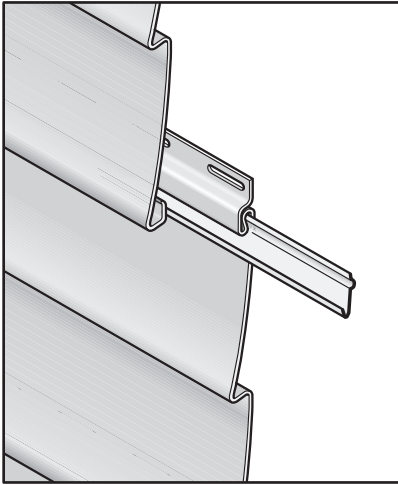
- Position the new J-Channel over the old.



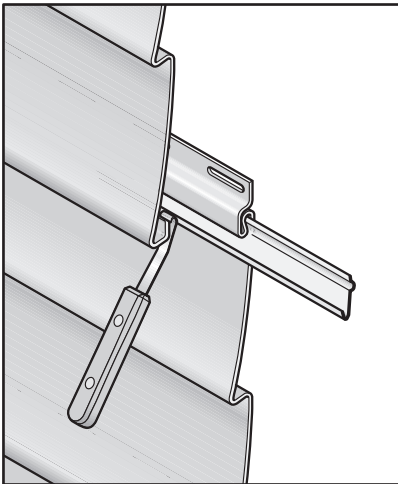
- Pop rivet the new piece into place.

REPAIRS

Compensating for Lumber Shrinkage



- Sometimes in new construction, siding panels can become unlocked due to the drying out of new lumber. A Vinyl Repair Shrink Clip (VRSC) can assist in re-engaging panels that have become unlocked due to these circumstances.
- Snap Shrink Clip into the top lock of the panel that has become unlocked. Use three (3) Shrink Clips per siding panel.



- Re-engage the unlocked panel as shown using a Zip tool.